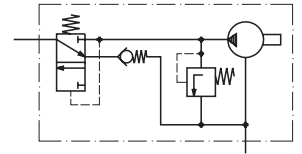




- Subject to modifications -



**Single-line pump**  
**PEH**



**Use:**

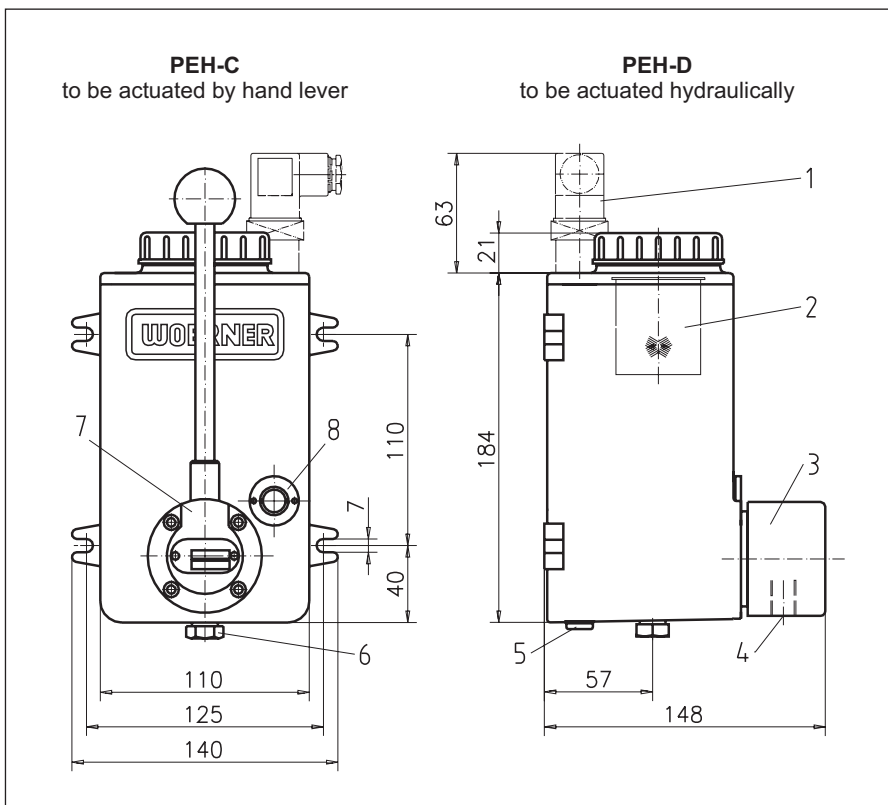
As delivery pump for central lubrication systems following the single line principle

**Technical data:**

Delivery capacity per stroke: 10 cm<sup>3</sup>  
 Operating pressure p<sub>1</sub> at max.: 25 bar  
 Actuating pressure p<sub>2</sub> for PEH-B and PEH-D: 60 bar

Actuating pressure p<sub>2</sub> at min. in [bar] resp. actuating force F<sub>1</sub> in [N]:

PEH-A PEH-C	PEH-B PEH-D
F <sub>1</sub> = 7,4 (p <sub>1</sub> + 5)	p <sub>2 min.</sub> = p <sub>1</sub> + 5



- 1 Level switch  
KFH-F-A-S Purch.no. 468.722-65  
KFH-F-A-O Purch.no. 468.714-65
- 2 Filling sieve Purch.no. 913.300-17
- 3 Pump insert PEH-B, steel
- 4 Actuating pressure connector G 1/4

- 5 Oil discharge screw M 10 x 1  
Purch.no. 800.908-12
- 6 Pressure connector G 1/8
- 7 Pump insert PEH-A, steel
- 8 Viewing glass Purch.no. 913.000-07

**Residual pressure**

after relief at max.: 0,8 bar

Temperature range: -10 ... +80 °C

**Delivery medium:**

Oil: Viscosity range: 10 ... 3000 cSt

Suction height (PEH-A; PEH-B): 1 m

Usable volume (PEH-C; PEH-D): 1 l

**Material:**

Reservoir: Aluminium

Pump inserts: Steel

**Weight:**

PEH-A 0,8 kg

PEH-B 0,7 kg

PEH-C 2,7 kg

PEH-C with level switch 2,9 kg

PEH-D 2,6 kg

PEH-D with level switch 2,8 kg

**Electrical data:**

**Level switch:**

Switching power at max.: 10 W

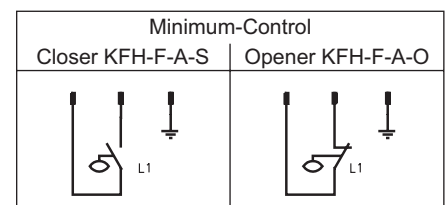
30 VA

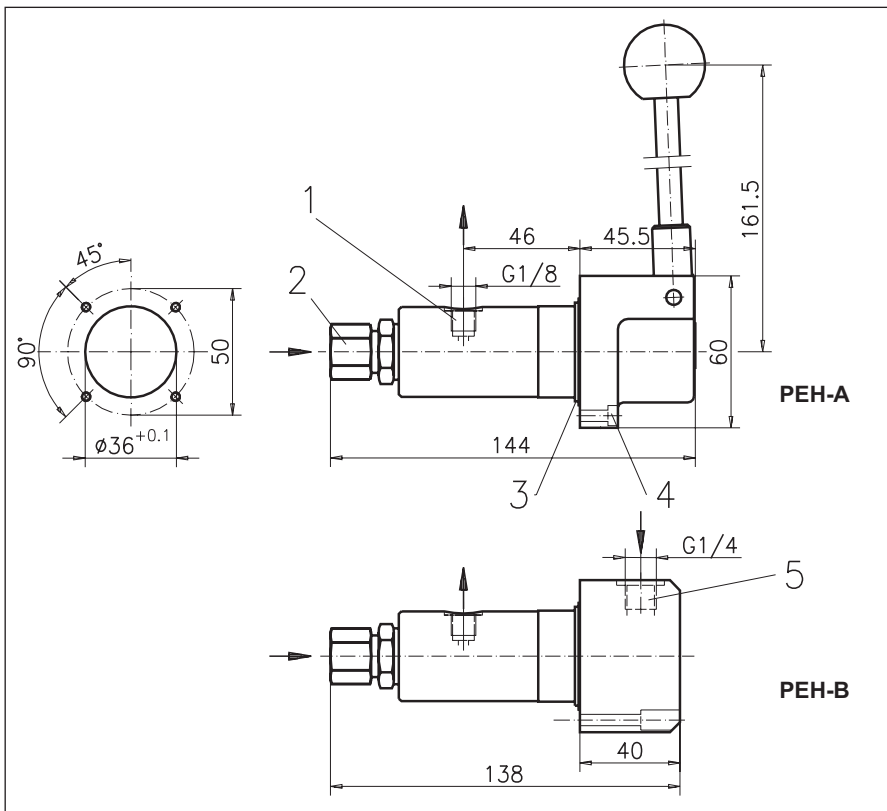
shortly 50 VA

Switching current at max.: 0,5 A

Switching voltage at max.: 230 VUC

System of protection: IP 65




**Pump insert**

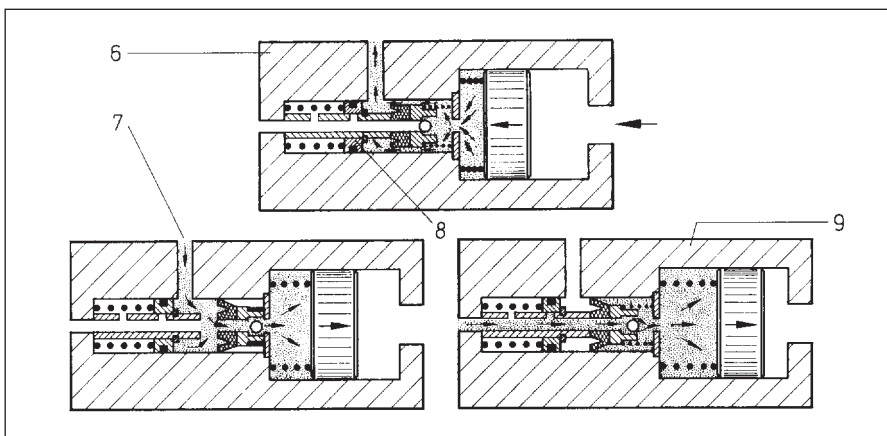
Type PEH-A (to be actuated by hand lever)

- 1 Pressure connector
- 2 Suction connector pipe  $\varnothing 10$
- 3 O-ring 35 x 1,5  
Purch.no. 915.201-12 (Perbunane)  
Purch.no. 915.201-13 (Viton)
- 4 Fastening hole for screws  
M4 DIN 912  
(drawn in displaced by 45° position)

**Pump insert**

Type PEH-B (to be actuated hydraulically)

- 1 ... 4 as PEH-A
- 5 Pressure connector (for drive)


**Mode of operation/functional scheme:**

Depending on the version, the pumps are to be actuated either by hand lever or hydraulically. In case of pressure stroke the piston delivers the oil into the delivery pipe. The piston is reset by virtue of spring force, thus sucking the oil into the proportioning chamber by means of negative pressure. During suction the pressure is relieved to approx. 0,8 bar. The integrated pressure control valve opens at 25 bar.

- 6 Pressure stroke
- 7 Relief
- 8 Pressure control valve
- 9 Suction stroke

**Purchase-designation:**

Single-line pump



Type	Level switch	Sealings
without reservoir (A) (B)	without (0)	NBR (e.g. Perbunane) (P)
with reservoir (C) (D)	without (0)	
	with { KFH-F-A-S (6) KFH-F-A-O (8)	FPM (e.g. Viton) (V)

**Purchase-example:**

Single-line pump PEH-Type D; with level switch 6; with sealing perbunane

**Purchase-designation:**  
**PEH-D/6/P**

- Subject to modifications -