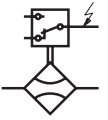




- Subject to modifications -



Flowmeter KUI-A



Volumetric flow meter suitable for pipe mounting

Application:

For oil circulation systems

- optical and electrical monitoring of flow
- electrical monitors are available in different switching bands
- electrical monitors are available with LED

Technical data:

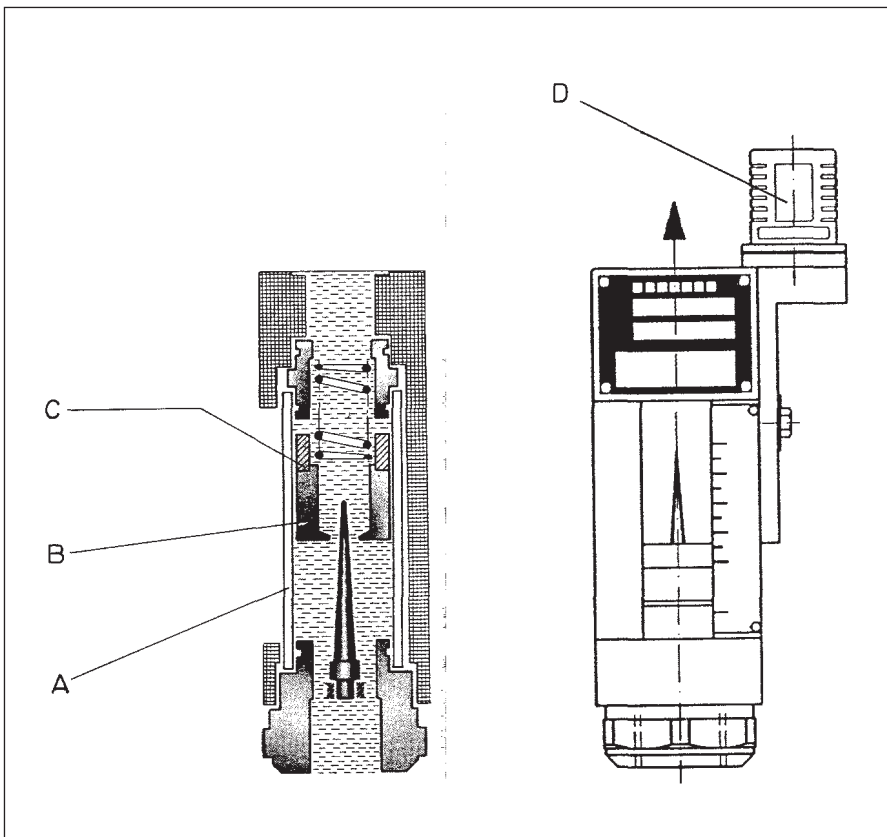
Operating pressure:	max. 16 bar
Temperature range:	-10 ... +90 °C
Mounting position:	vertical ±5°
Materials:	Al and CuZn
Viewing tube:	Glass
Gasket material:	FPM (Viton)

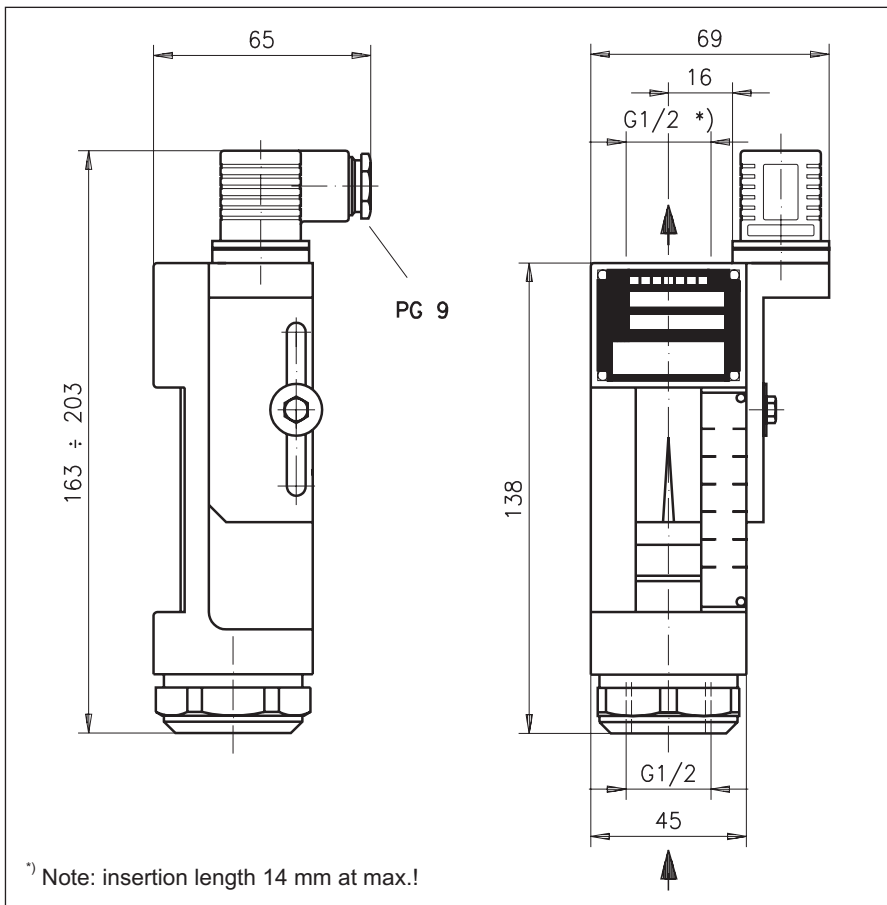
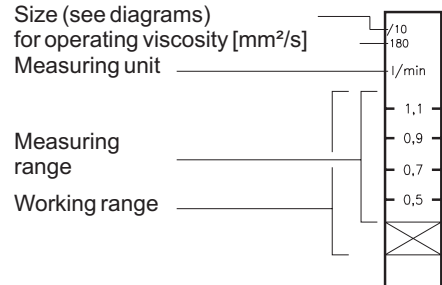
Instruction to functional drawing:

- A = Cylindrical glass tube
- B = Float
- C = Magnet
- D = Electrical element

Functional description:

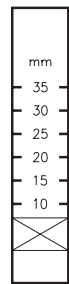
In a cylindrical glass tube "A" a float "B" moves. At a given flow rate the float "B" will find a level in the glass tube and an optical reading can be obtained. The position of the float can also be monitored by different electrical elements "D".




Display scale (A) (B) (C)


Within the working range the float with its ring marking can move.

The volume flow meter should be chosen so that during normal operation the float with its marking ring will remain within the measuring range (accuracy of indication).

Display scale (M)


Special scales available upon request (e.g. measuring unit pt/min)

- Subject to modifications -

Order-designation: Flowmeter



Display scale	Size ^{*)}	electrical monitoring		
for operating viscosity 130 [mm ² /s] (A)	Display range see diagrams leaflet-no. 0303	without LED-indication	Switching band	short (K) ^{s)}
for operating viscosity 46 [mm ² /s] (B)				medium (M)
				long (L)
ultralong (U) ^{s)}				
for operating viscosity 180 [mm ² /s] (C)		with LED-A indication	Switching band	short (KA) ^{s)}
				medium (MA)
Scale with spacing in [mm] (M)		with LED-B indication	Switching band	long (LA) ^{s)}
				ultralong (UA) ^{s)}
without (e.g. for special scales) (O)		without		short (KB) ^{s)}
				medium (MB)
			long (LB) ^{s)}	
			ultralong (UB) ^{s)}	
			without (O)	

Ordering-example:

Flowmeter with display scale for oil with 130 [mm²/s] operating viscosity

Indication range size (10)

Electrical monitoring LED-B with ultralong switching range

Order-designation:

KUI-A/A/10/UB

^{s)} Special version, not stored

^{*)} Size is roughly corresponding to the ten-fold volume flow at a float height of approx. 20 mm and an operating viscosity of 130 mm²/s.

Spare-part list see leaflet-no. 9522